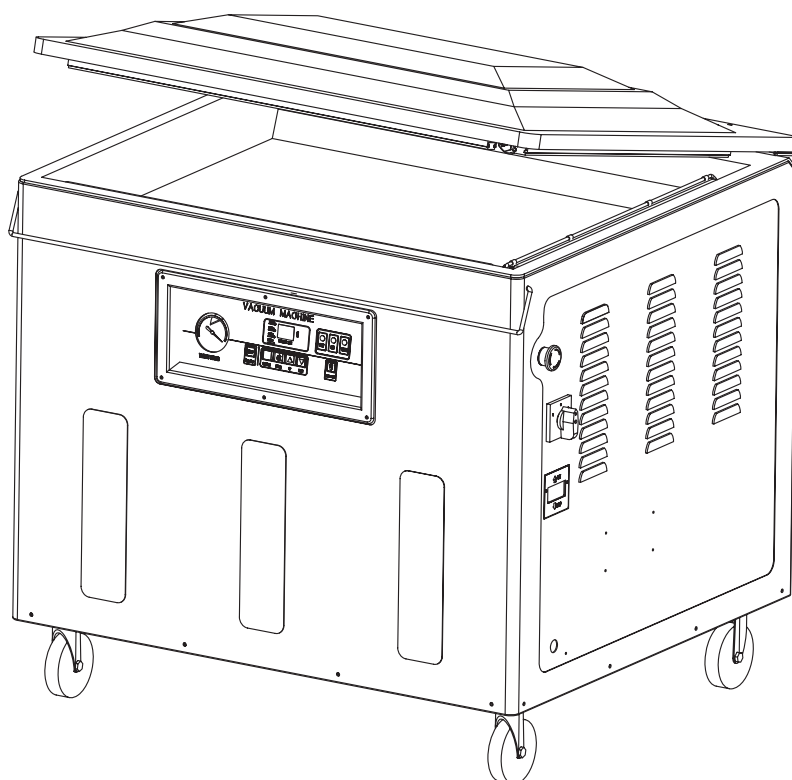


DZ Series Vacuum sealer

USER'S MANUAL



Thank you for choosing this vacuum sealer, please read the manual carefully.

INDEX

- I. Product description and usage
- II. Technical parameters
- III. Machine Overview
- IV. Working Principle
- V. Circuit Diagram
- VI. Operation
- VII. Programming
- VIII. Cautions
- IX. Assembly diagrams
- X. Trouble-shooting
- XI. Maintenance
- XII. List of accessories

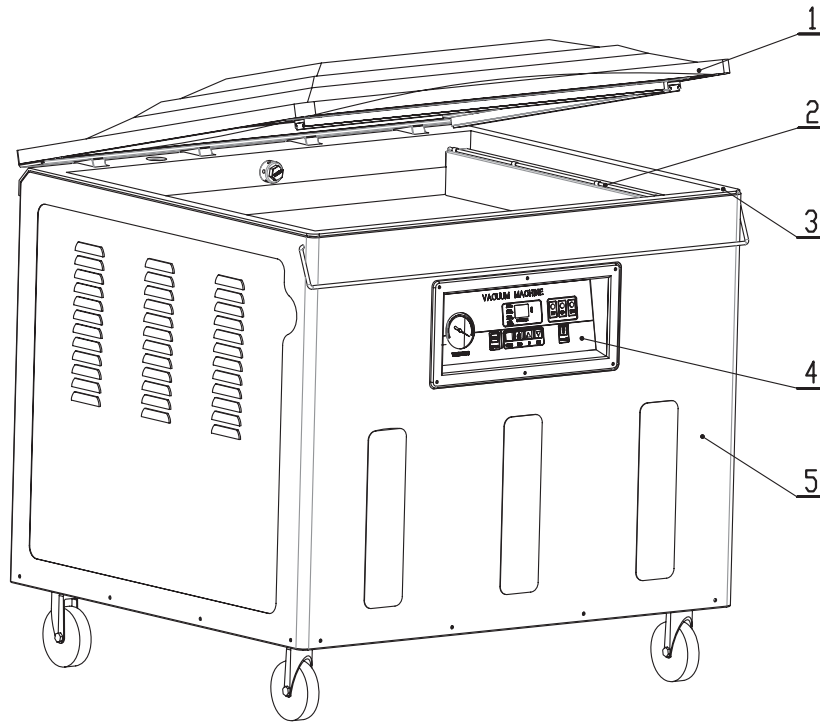
I. Product description and usage

Vacuum sealer of DZ series is used for removing air from the package and automatically sealing. Vacuum packing reduces atmospheric oxygen, limiting the growth of aerobic bacteria or fungi, and preventing the evaporation of volatile components. The sealing length of machines have been mentioned in their models. For example: the sealing length of DZ260PD is 260mm, and so on. DZ series is used for packaging of various objects that the chamber accommodate, and also have the capability to vacuum seal powder, paste and liquids.

II. Technical parameters

Model	Voltage	Power of motor	Power of heater	Ultimate vacuum	Vacuum capacity	Depth of chamber	Size of machine	N.W.
DZ-800/2L	380V/50Hz	1.5 kw	1.6 kw	0.1 mbar	40m ³ /h	100mm	815 × 800 × 941mm	215Kg
DZ-900/2L	380V/50Hz	2.2 kw	1.6 kw	0.1 mbar	63m ³ /h	100mm	915 × 800 × 941mm	225Kg
DZ-1000/2L	380V/50Hz	2.2 kw	1.8 kw	0.1 mbar	63m ³ /h	100mm	1015 × 800 × 941mm	235Kg
DZ-1100/2L	380V/50Hz	2.2 kw	1.8 kw	0.1 mbar	63m ³ /h	100mm	1115 × 800 × 941mm	245Kg

Machine Overview



1. Lid 2. Sealing Bar 3. Vacuum Chamber
4. Control Panel 5. Machine Body

III. Safety precautions

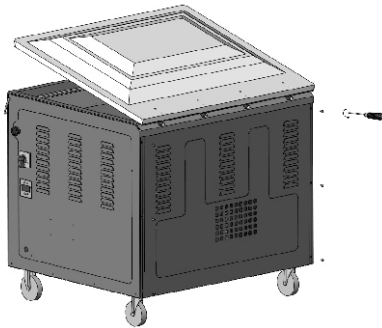
- ◆ Before operation, confirm the power supply is in accordance with the data plate.
- ◆ Make sure outlet, adapter, socket, cords and plug–broad is in good condition, otherwise, it will lead to fire and damage.
- ◆ Do not touch switch, plug or outlet with wet hands.
- ◆ Unqualified person do not attempt to repair the vacuum sealer, for incorrect operation may cause electric shock, inquiry etc.
- ◆ Connect the power cord firmly and correctly, to avoid electrical shock and fire due to insufficient contact.
- ◆ Do not directly pull the plug to switch off the device while the pump is working, it may cause a fire.

-
- ◆ Do not twist, crush or pull the power cord, as it may break and cause electric shock or fire.
 - ◆ Before cleaning the machine, please disconnect the power.

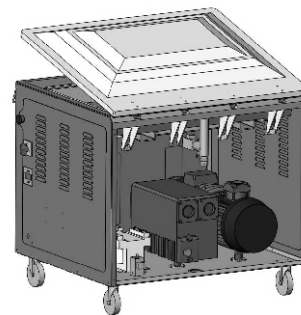
IV. Filling oil

The vacuum oil is oil needed for the pump. Please disconnect the power before operation and operate according the following.

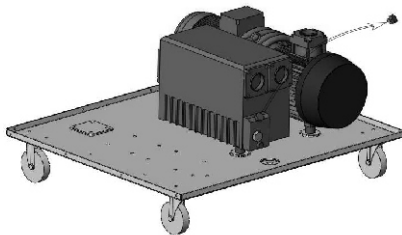
- ① Remove the screws.



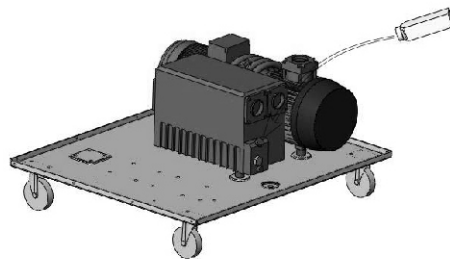
- ② Open the machine.



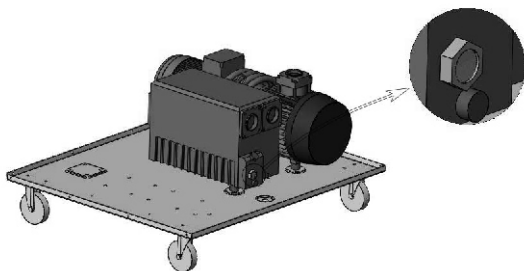
- ③ Take off the plug (or lid) of oil tank.



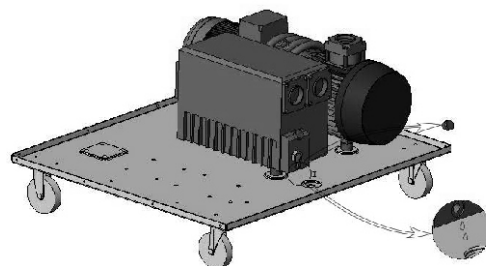
- ④ Pour the vacuum oil into the tank.



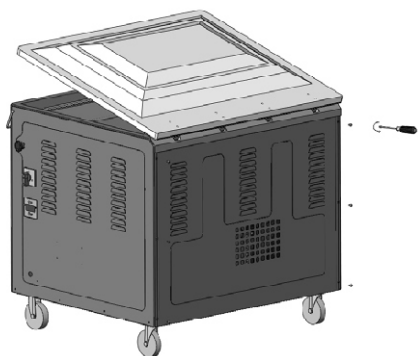
- ⑤ The volume of oil should be between the 1/2 and 3/4 of the window.



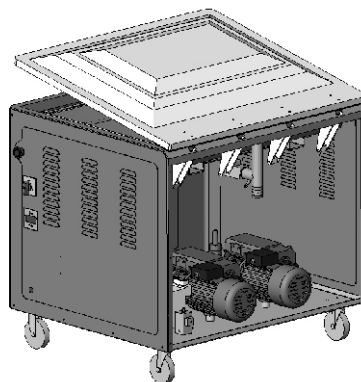
- ⑥ The pump works around 120 hours, renew the oil.



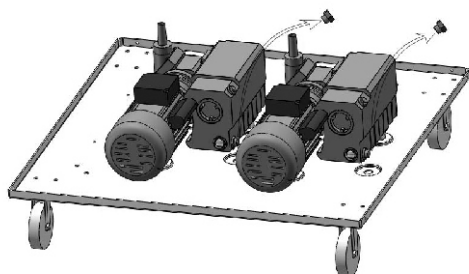
① Remove the screws.



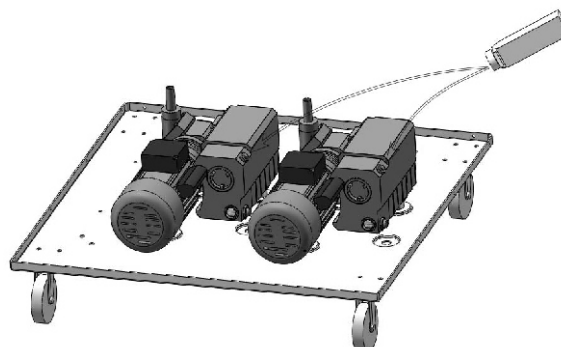
② Open the machine.



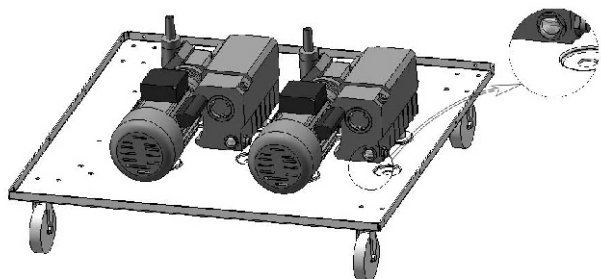
③ Take off the plug (or lid) of oil tank.



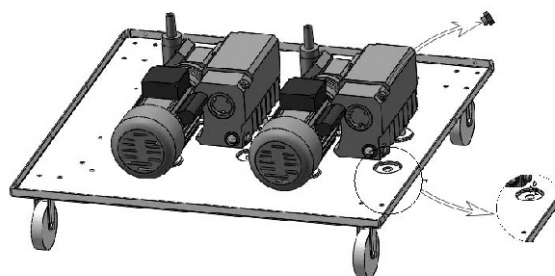
④ Pour the vacuum oil into the tank.



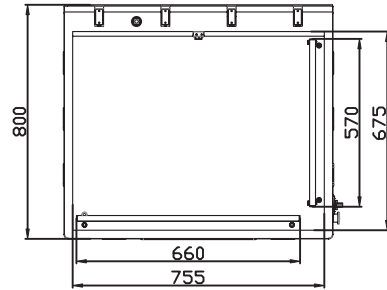
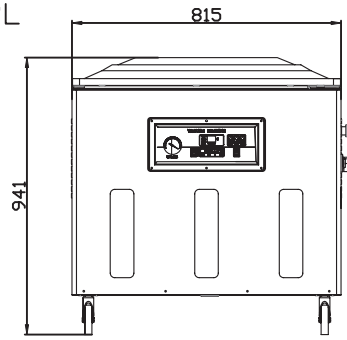
⑤ The volume of oil should be between the 1/2 and 3/4 of the window.



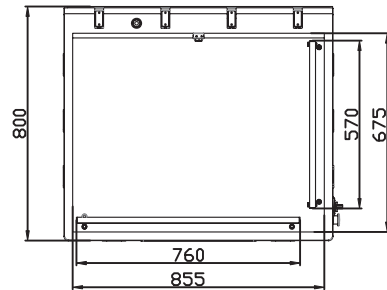
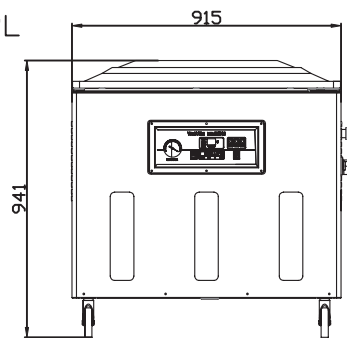
⑥ The pump works around 120 hours, renew the oil.



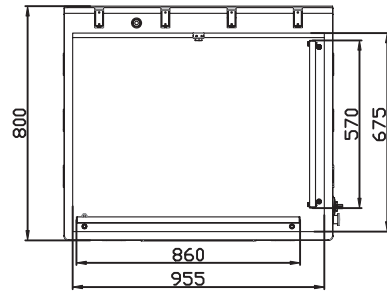
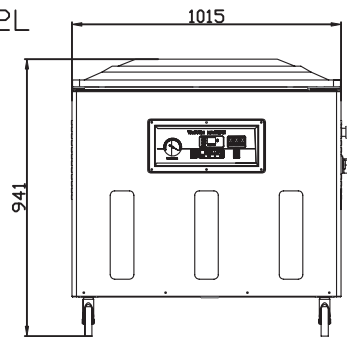
DZ-800/2L



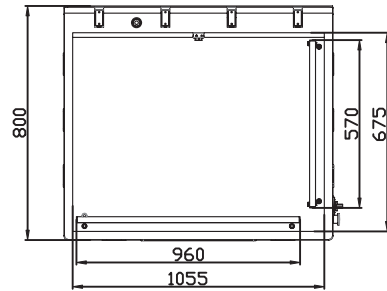
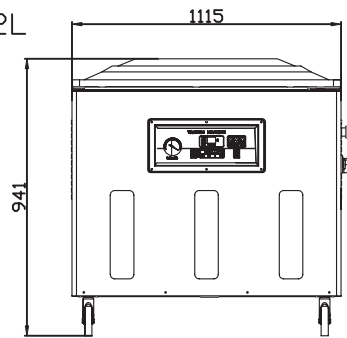
DZ-900/2L



DZ-1000/2L



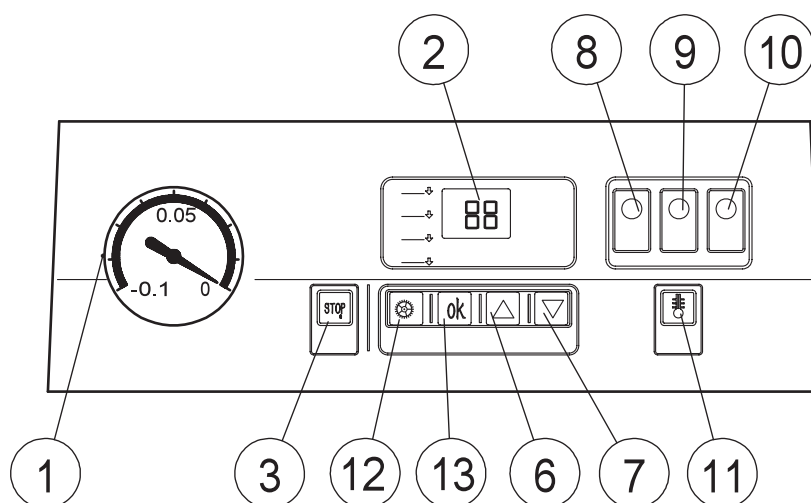
DZ-1100/2L



V. Installation

- ◆ Ensure there is no oil or little oil in the pump during transportation.
- ◆ The machine must be moved or transported in an upright position. The machine may not be tilted as this can cause damage to the pump.
- ◆ Place the machine on a flat, level surface.
- ◆ Enough space, at least 5 cm., must be left around the machine for good ventilation.
- ◆ The ambient temperature in which the machine is operated must be between 5°C and 35 °C. When operating the machine in other ambient temperatures please contact the local supplier for advice.
- ◆ Always connect the machine correctly to an earthed socket to avoid a fire or electrical shocks .
- ◆ If the machine is stationary for long periods, the power should always be disconnected.

VI. Controlling the machine



-
- ① **Vacuum meter**
 - ② **Time and mode indicator.** " - - " shows the machine is in start-up mode, in which power is connected and machine is not working yet.
 - ③ **STOP button** Press this button to cancel any process and back to start-up mode.
 - ④ **VACUUM button** Press this button on the start-up mode to enter the vacuum time setting mode. Adjust the vacuum time by pressing the "up" and "down" Press "OK" or "vacuum" again to confirm.
 - ⑤ **SEALING button** Press this button in the start-up mode to enter the sealing time setting mode, Adjust the sealing time by pressing the "up" and "down". Press "OK" or "Sealing" again to confirm.
 - ⑥ **UP button** This button is only active in vacuum time setting mode and sealing setting mode.
 - ⑦ **DOWN button** This button is only active in vacuum time setting mode and sealing setting mode.
 - ⑧ **Low temp. indicator**
 - ⑨ **Medium temp. indicator**
 - ⑩ **High temp. indicator**
 - ⑪ **SEALING TEMP. button** Press button to select the level of sealing temperature.
 - ⑫ **SETTINGS button** Press this button on the start-up mode to select VACUUM, SEALING, COOLING and GASSING. Adjust each of them by pressing the "up" and "down". Press "OK" to confirm.
 - ⑬ **OK button** Press "OK" to confirm your settings.

VII. Programming

- ◆ Vacuum time range: 0 to 99 s.. (normally 20 s., and for liquid, 25 s is recommended.)
- ◆ Sealing time range: 0 to 3.5 s.. (normally 1.5 s., and for thick film or with aluminum layer, 3 s.)
- ◆ Level of sealing temperature: low, medium, high. (for thick film or with aluminum layer, select "high")
- ◆ Cooling time (holding time) : 2 s. by default. To prevent aluminum from wrinkle, 15 s. Is recommended.

VIII. Operation

- ◆ Power on the machine, according to precaution.
- ◆ Set the program of the machine.
- ◆ Put the object into the plastic bag, place them in the chamber, lift the metal stick to hold the mouth of the bag, close the lid of the chamber.
- ◆ The machine carry out the 4 programs, VACUUM, SEALING, COOLING, GASSING in turn. Then the lid open automatically.

IX. Maintenance

Regular maintenance is required for a long lifespan of the machine, to avoid problem and to achieve an optimal packaging result. If the machine is used intensively, please maintain more regularly. If there are doubts about the maintenance activities or if the machine fails to work correctly always contact the supplier.

The normal maintenance must be carried out as following .

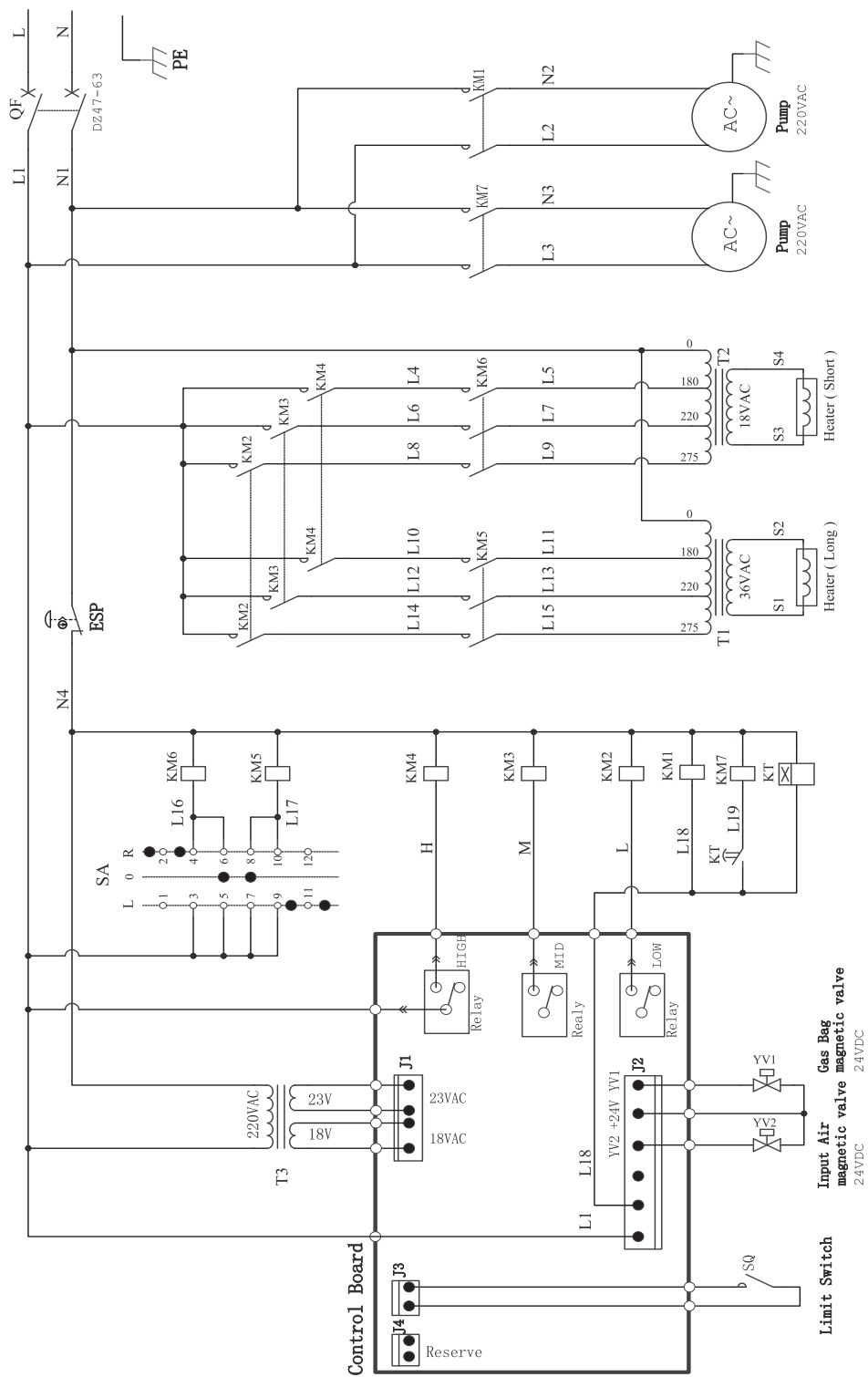
Weekly	<ul style="list-style-type: none"> ● Check the oil level and replace or fill up oil when the oil is turbid or the oil level is too low. ● Inspect and replace Teflon tape or heating wire if the seal quality is no longer sufficient. ● Inspect the lid gasket and replace it when the gasket is damaged.
Every Six Months	<ul style="list-style-type: none"> ● Replace oil, (if pump's running time is more than 120 hours, do it earlier). ● Replace rubber in the silicone holder . ● Replace the air filter.
Four-yearly	<ul style="list-style-type: none"> ● Replace transparent lid and the lid's gas springs.

X. Problems and solutions

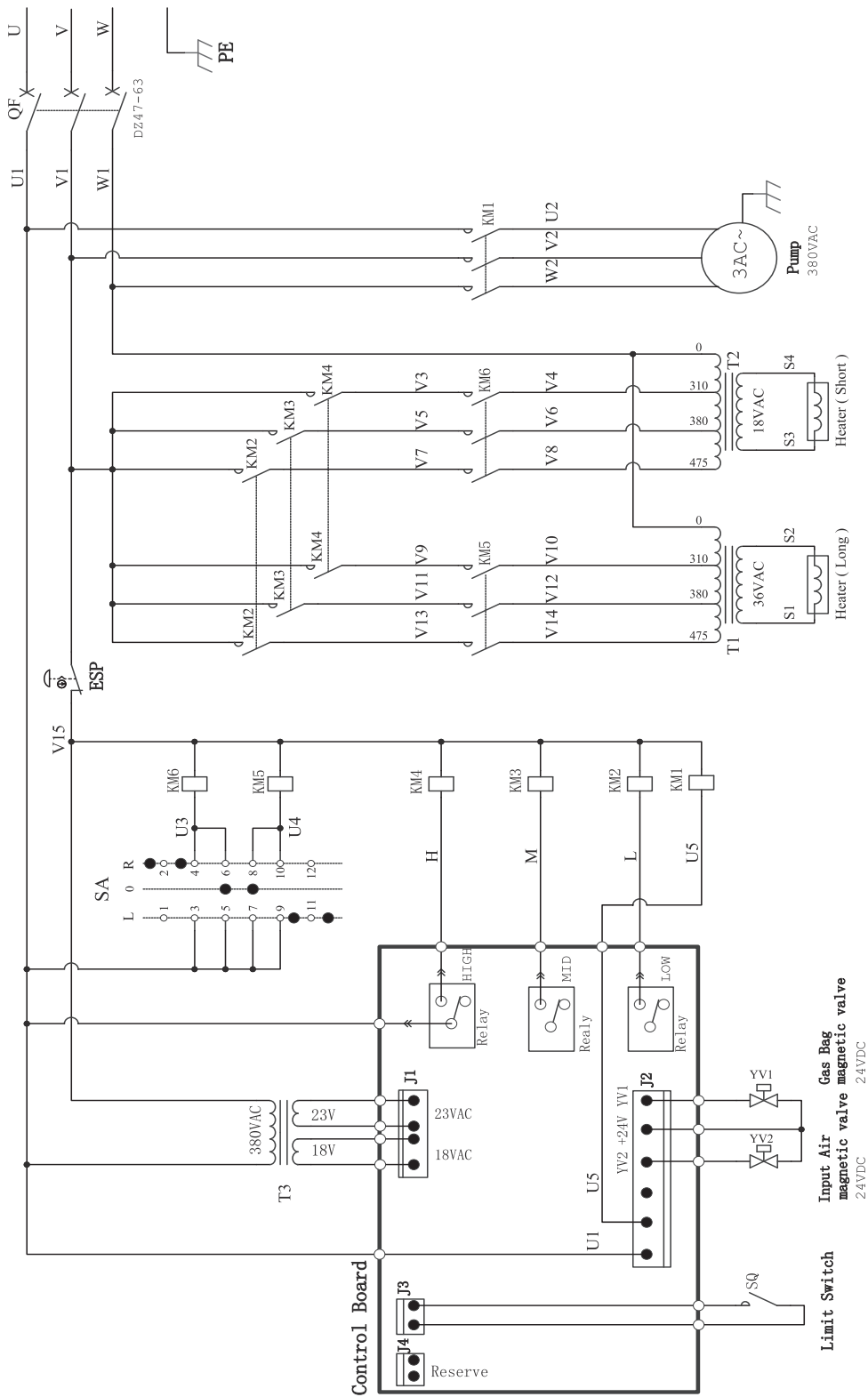
Insufficient Vacuum	<ul style="list-style-type: none"> ● For big machine of 3-phase motor, check the motor's rolling direction, if it is same with the signal on the motor, change any two phase. ● For a brand new machine, the gasket and the edge haven't match, close and press with a little more effort. ● Check and replace the lid gasket. ● Check the level and contamination of the oil in the pump. ● Check the contamination, wear and tear of the valve. ● Check and adjust the vacuum setting of the program.
Bag is not properly sealed	<ul style="list-style-type: none"> ● Check and replace the Teflon tape and heating element. ● Check and replace the silicone rubber bar in the holder. ● Check and clean the inside of the vacuum bag for contamination. ● Check and adjust sealing setting of the program
Button is not working	<ul style="list-style-type: none"> ● Take off the control panel sticker, and try the button directly.

If the problem not solved or any other problems please contact the supplier, service center or qualified person.

XI. Circuit diagram

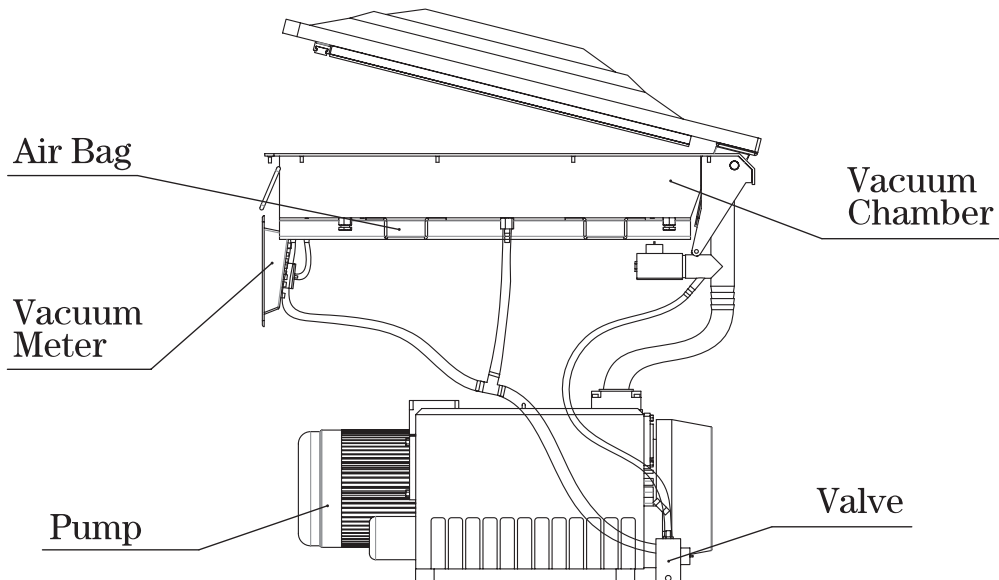


AC220V Electrical Diagram



AC380V Electrical Diagram

XII. Structure of Single Chamber Vacuum Machine



Accessories

Item	Description	Quantity
User's manual	Manual for single-chamber	1 piece
Certificate of inspection		1 piece
Vacuum oil	Vacuum oil of 100#	1 bottle
Case of letters	Optional	1 set
Heating element	Size according to machine	2 rolls
Plastic plate	Size according to machine	
Teflon cloth	50*2000mm	1 roll
Screwdriver	6#	1 piece
Inside-hexagon spanner	5# 6# each one	1 piece
Double-end hexgon wrench	8-10 12-14 17-19 each one	1 piece

Signature of inspector:

Signature of packager:

Date: